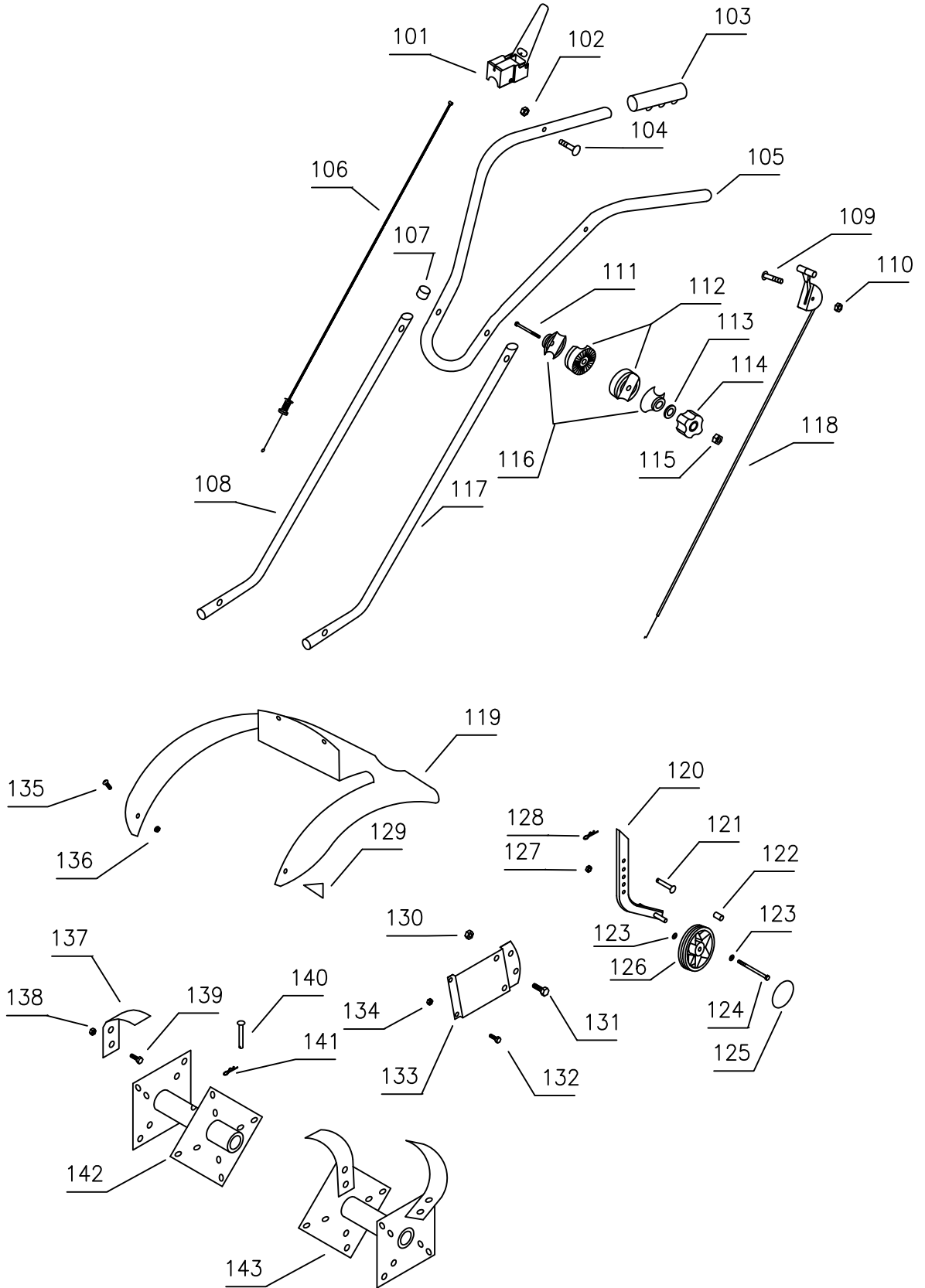
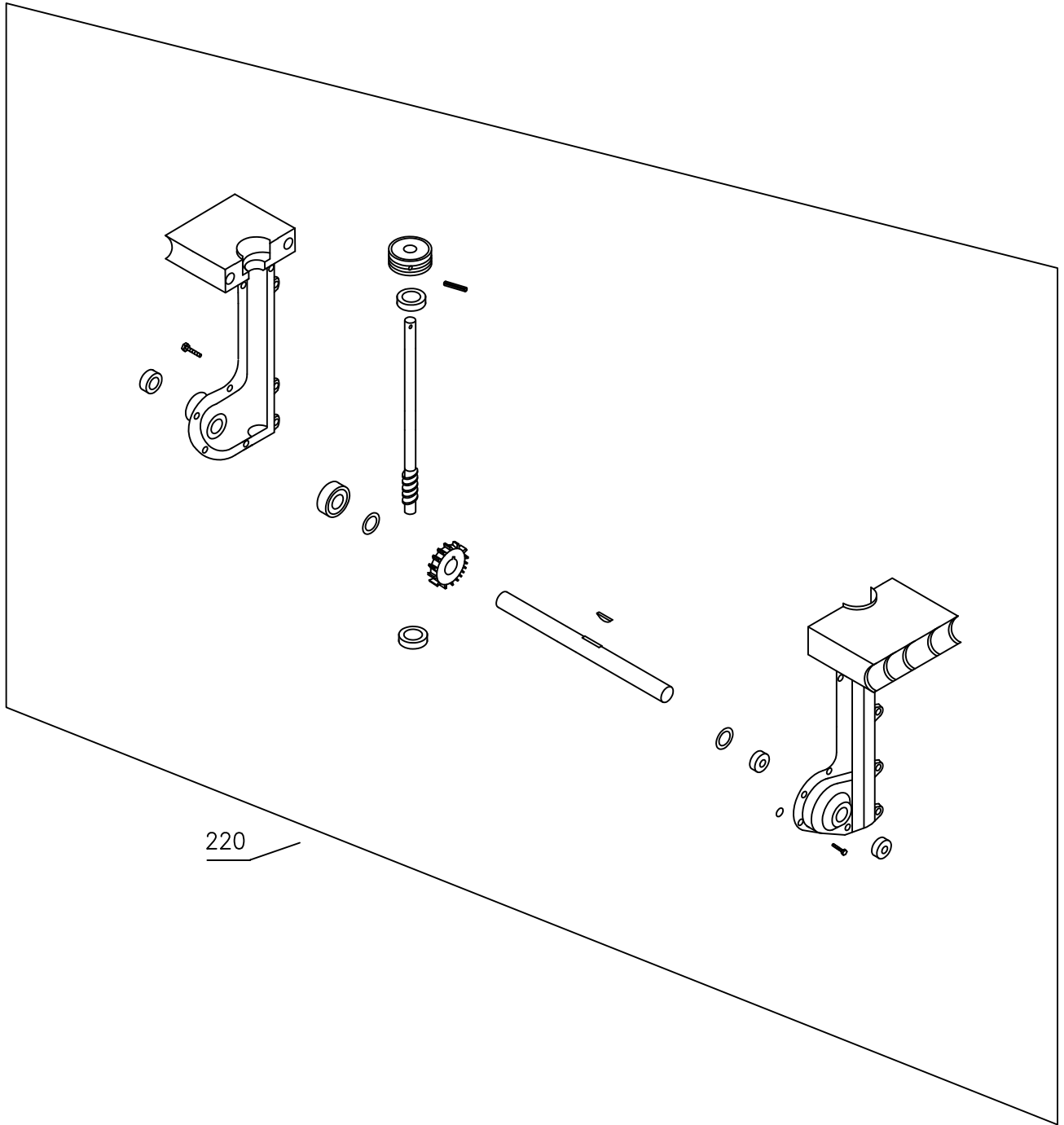


POS	QTY	PARTNUMBER	BESKRIVELSE	DESCRIPTION
2	1	9D902	B&S OR LONCIN ENGINE	B&S OR LONCIN ENGINE
3	3	90122160	FLANGEBOLT 8.8 M8X40 FZ	FLANGEBOLT 8X40MM
4	3	90122180	FLANGEMØTRIK M8 FZ	FLANGENUT M8 LOCK
5	3	90120050	PLANSKIVE M24X8.4X2 FZ	WASHER Ø24X8.4X2
6	1	90102747	SÆTBOLT 8.8 M8X35 FZ	SCREW M8X35
7	1	90102310	PLANSKIVE M8 FZ	WASHER M8
8	1	90122180	FLANGEMØTRIK M8 FZ	FLANGENUT M8 LOCK
9	2	90122180	FLANGEMØTRIK M8 FZ	FLANGENUT M8 LOCK
10	1	90240025	CHASSIS HOBBY	CHASSIS -
11	2	90240028	STÅLBOLT 8.8 M8X250	BOLT M8X250 FZB
12	1	90240031	CHASSISBØJLE - SORT	LOWER HANDLEBAR BLACK
13	2	90122180	FLANGEMØTRIK M8 FZ	FLANGENUT M8 LOCK
14	2	90122160	FLANGEBOLT 8.8 M8X40 FZ	FLANGEBOLT 8X40MM
15	1	90240041	UNDERSKÆRM GUL	CHASSIS COVER YELLOW
16	2	90122113	TAPTITE M6X12	TAPTITE M6X12
17	1	90628590	TEXAS LABEL TIL HOBBY	LABEL
18	4	90122113	TAPTITE M6X12	TAPTITE M6X12
19	1	90308725	RIBREM PJ 414-5	RIBBELT 5-PJ-414
20	1	90240042	MOTORREMSKIVE PJ40-5-7/8"	PULLEY FOR ENGINE
21	2	90102726	SÆTBOLT 8.8 M6X16 FZ	SCREW M6X16
22	1	90240052	REMSTYR HOBBY	BELT GUIDE HOBBY 300
23	2	90100691	LÅSEMØTRIK 8.8 M6 FZ	LOCK NUT M6
24	2	90100283	PINOLSKRUE 12.9 8X8 MSP	SCREW
25	1	90102917	STÅLBOLT 8.8 M8X50	SCREW M8X50
26	1	90102310	PLANSKIVE M8 FZ	WASHER M8
27	1	90240048	FJEDER STR. HOBBY	RETURNSPRING HOBBY 300
28	1	90100692	LÅSEMØTRIK 8.8 M8 FZ	LOCK NUT M8
29	1	90240016	STR.RULLEARM HOBBY	BELT TIGHT. ARM
30	1	30000062	BØS FOR BAKSTR.RULLE	BUSHING Ø15X11 FZB
31	1	90307779	STRAMMERULLE Ø30 M LEJE	IDLE PULLEY
32	1	90102746	SÆTBOLT 8.8 M8X30 FZ	SCREW M8X30
33	1	90122180	FLANGEMØTRIK M8 FZ	FLANGENUT M8 LOCK
34	1	90120050	PLANSKIVE M24X8.4X2 FZ	WASHER Ø24X8.4X2
35	1	90240018	BØSNING FOR STR.ARM	BUSHING FOR TIGHTENER



POS	QTY	PARTNUMBER	BESKRIVELSE	DESCRIPTION
101	1	90227552	KOBLINGSGREB	CLUTCH HANDLE
102	1	90100691	LÅSEMØTRIK 8.8 M6 FZ	LOCK NUT M6
103	2	90307352	SKUMHÅNDTAG	GRIP
104	1	90100235	INSEX MED CYLINDERHOVED M6X50 FZ	SCREW 6X50
105	1	90240033	OVERSTYR HOBBY	UPPER HANDLEBAR BLACK
106	1	90240058	KOBLINGSKABEL HOBBY	CLUTCH CABLE
107	2	90307715	PROP	PLUG FOR BUMPER
108	1	90240091	UNDERSTYRRØR HØJRE	LOWER STEER RIGHT
109	1	90100076	BRÆDDEBOLT 8.8 M6X60 FZ	BOLT M6X60
110	1	90100691	LÅSEMØTRIK 8.8 M6 FZ	LOCK NUT M6
111	2	90102927	STÅLBOLT 8.8 M8X100 FZ	SCREW M 8X100 8.8 FZB
112	4	90307956	PLASTKLODS FOR HÅNDTAG	HOLDER PLASTIC
113	2	90102310	PLANSKIVE M8 FZ	WASHER M8
114	2	90307948	PLASTHÅNDHJUL M8	HANDWHEEL
115	2	90100662	STÅLMØTRIK 8.8 M8 FZ	NUT M8
116	4	90307954	PLASTKLODS FOR HÅNDTAG	PLAST BLOCK FOR HANDLE
117	1	90240092	UNDERSTYRRØR VENSTRE	LOWERT STEER LEFT
118	1	90240060	GASKABEL KPL.	THROTTLE CONTROL
119	1	90240035	KNIVSKÆRM HOBBY GUL	TINE COVER - YELLOW
120	1	90240015	JORDSPYD/HJULBØJLE HOBBY	DEPTH SKID / WHEELS HOBBY
121	2	90220018	SPLITBOLT 8X25	COTTER BOLT
122	2	90240036	HJULBØS HOBBY	BUSHING WHEELSUPPORT
123	4	90102310	PLANSKIVE M8 FZ	WASHER M8
124	1	90102927	STÅLBOLT 8.8 M8X100 FZ	SCREW M 8X100 8.8 FZB
125	2	90304161	HJULKAPSEL Ø130 HJUL	WHEEL COVER Ø130 WHITE
126	2	90304160	STØTTEHJUL Ø130X44X12	SUPPORTWHEEL 130X40X12
126	2	90304159	STØTTEHJUL Ø135X40X12	SUPPORT WHEEL Ø135X40X12
127	1	90122180	FLANGEMØTRIK M8 FZ	FLANGENUT M8 LOCK
128	1	90000057	SPLIT 2,5 MM. B	COTTER PIN
129	2	90628569	LOGO: TREKANT - ROTTERENDE KNIVE	WARNING MARK KNIVES
130	2	90122180	FLANGEMØTRIK M8 FZ	FLANGENUT M8 LOCK
131	2	90122150	FLANGEBOLT 8.8 M8X20 FZ	FLANGEBOLT 8X16MM
132	2	90100232	INSEX MED CYLINDERHOVED M6X25 FZ	INSEX M6X25 CYL
133	2	90240013	BAGKONSOL HOBBY	REARCONSOLE HOBBY
134	2	90122178	FLANGEMØTRIK M6	FLANGENUT M6 NYLONLOCK
135	2	90122401	UNBRAKOBOLT MED FLADT OG BREDT HOVEDE M5X12	SCREW M5X12
136	2	90180950	FLANGEMØTRIK M5	FLANGED NUT
137	16	90240045	KNIV FOR HOBBY	TILLERKNIFE HOBBY
138	32	90100720	MØTRIK 5/16 UNF FZ	NUT
139	32	90103888	STÅLBOLT SORT 5/16" UNF X 18 FZ	BOLT
140	2	90240050	SPLITBOLT 8X40	PINBOLT 8X40
141	2	90000057	SPLIT 2,5 MM. B	COTTER PIN
142	2	90240023	KNIV KOMPLET HOBBY	KNIFE COMPLETE HOBBY
143	2	90240023	KNIV KOMPLET HOBBY	KNIFE COMPLETE HOBBY



220

220

1

90240000

Gearkasse

Worm Gear